

Technical data sheet

Product features



Cooking range gas with electric static oven

Model	SAP Code	00014805
--------------	-----------------	----------



- Device type: Combined unit
- Ignition: Eternal flame
- Type of internal part of the appliance 1 (eg oven): Electric
- Type of internal part of the appliance 2 (eg oven): Static
- Material: AISI 304 top plate and cladding

SAP Code	00014805	Loading	400 V / 3N - 50 Hz
Net Width [mm]	1200	Power gas [kW]	42.000
Net Depth [mm]	730	Type of gas	Natural gas, propane butane
Net Height [mm]	900	Type of internal part of the appliance 1 (eg oven)	Electric
Net Weight [kg]	150.00	Type of internal part of the appliance 2 (eg oven)	Static
Power electric [kW]	8.700		

Technical data sheet

Technical drawing

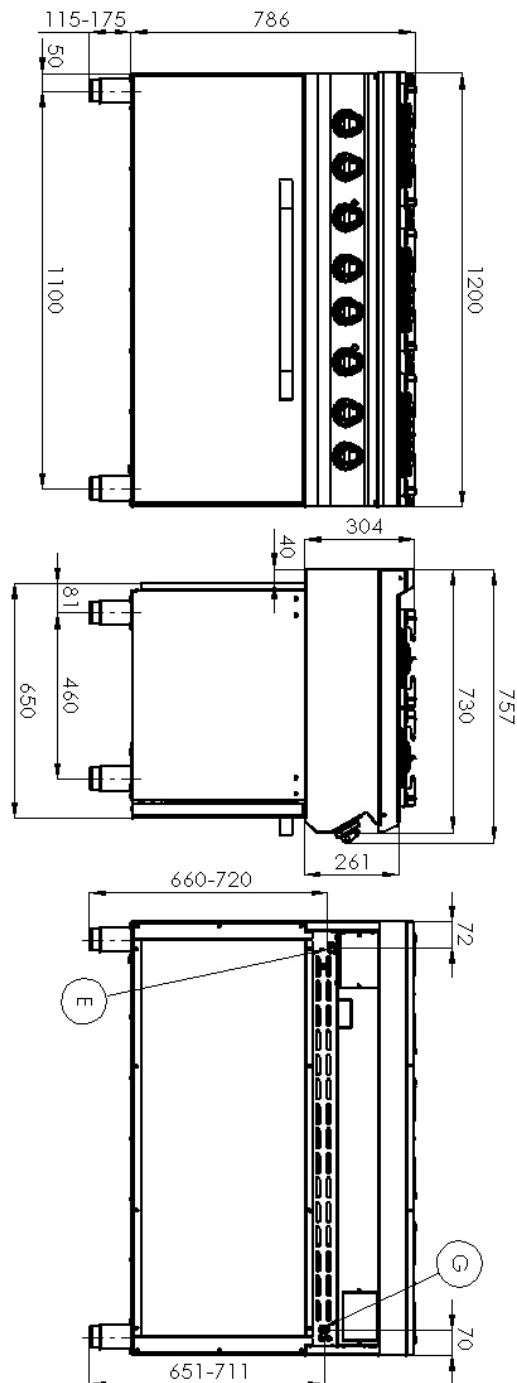


Cooking range gas with electric static oven

Model

SAP Code

00014805



Technical data sheet

Technical parameters



Cooking range gas with electric static oven

Model

SAP Code

00014805

1. SAP Code:

00014805

2. Net Width [mm]:

1200

3. Net Depth [mm]:

730

4. Net Height [mm]:

900

5. Net Weight [kg]:

150.00

6. Gross Width [mm]:

1260

7. Gross depth [mm]:

820

8. Gross Height [mm]:

1080

9. Gross Weight [kg]:

166.00

10. Device type:

Combined unit

11. Construction type of device:

Stationary

12. Power electric [kW]:

8.700

13. Loading:

400 V / 3N - 50 Hz

14. Power gas [kW]:

42.000

15. Ignition:

Eternal flame

16. Type of gas:

Natural gas, propane butane

17. Device color:

Stainless steel

18. Material:

AISI 304 top plate and cladding

19. Worktop type:

Molded - comfortable cleaning maintenance

20. Worktop material:

AISI 304

21. Worktop Thickness [mm]:

1.50

22. Maximum device temperature [°C]:

300

23. Minimum device temperature [°C]:

50

24. Grid material:

Cast iron

25. Service accessibility:

Trough the frontal panel

26. Safety thermocouple:

Yes

27. Adjustable feet:

Yes

28. Number of burners/hot plates:

6

Technical data sheet

Technical parameters



Cooking range gas with electric static oven

Model	SAP Code	00014805
--------------	-----------------	----------

29. Type of gas cooking zones:

Powerfull

30. Burner type:

Brass, detachable

31. Oven Type:

electrical static

32. Oven power electric [kW]:

8.70

33. Oven size:

GN 3x 1/1

34. Type of internal part of the appliance 1 (eg oven):

Electric

35. Type of internal part of the appliance 2 (eg oven):

Static

36. Gasket:

Yes

37. Maximum temperature of the inner chamber [Å°C]:

300

38. Minimum temperature of the inner chamber [Å°C]:

50